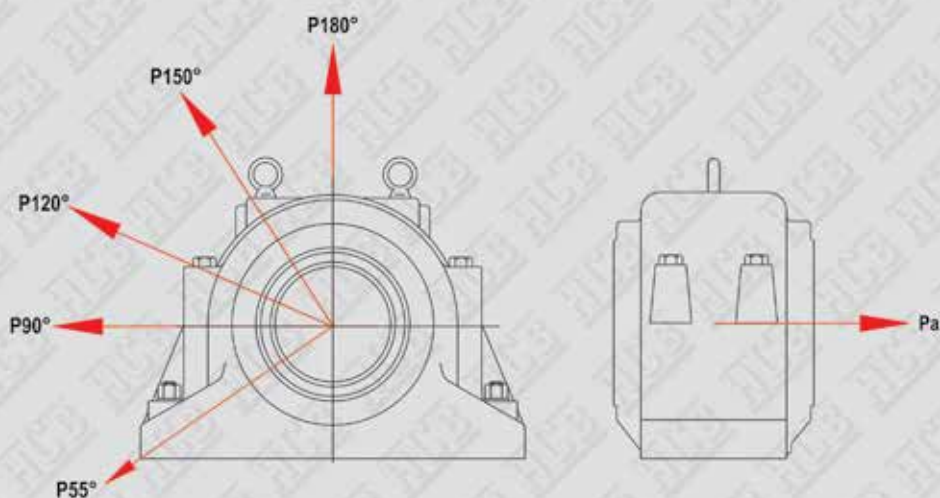


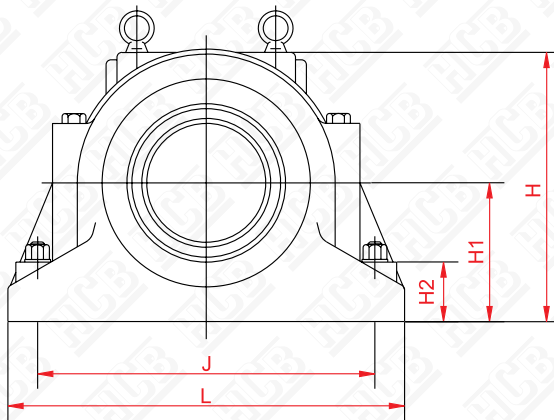


# SD 500-600



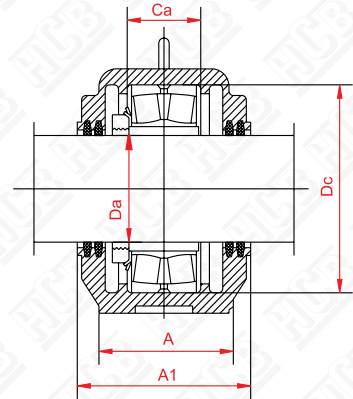
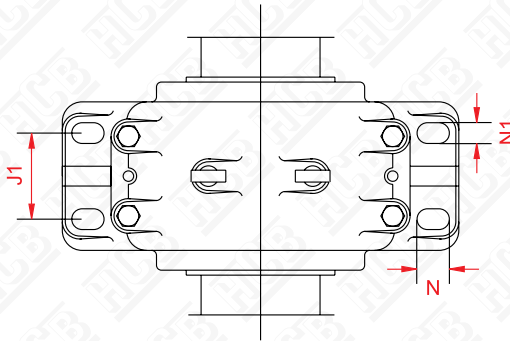


Housing	Breaking loads					
Size	P <sub>55°</sub>	P <sub>90°</sub>	P <sub>120°</sub>	P <sub>150°</sub>	P <sub>180°</sub>	P <sub>a</sub>
	kN	kN	kN	kN	kN	kN
SD 530	2250	1100	830	740	920	600
SD 532	2600	1250	920	830	1030	670
SD 534	2850	1400	1070	940	1150	750
SD 536	3000	1530	1150	960	1250	900
SD 538	3700	1900	1400	1300	1600	1000
SD 540	4200	2000	1500	1400	1700	1050
SD 544	4900	2300	1700	1500	1900	1200
SD 548	6400	2350	1750	1550	1950	1270
SD 552	8000	3100	2350	2000	2500	1450
SD 556	8400	4000	2950	2400	2550	1700
SD 560	8700	4600	3300	2650	2900	1920
SD 564	9600	5000	3750	3300	3100	2100
SD 630	3000	1530	1150	960	1250	900
SD 632	3700	1900	1400	1300	1600	1000
SD 634	4200	2000	1500	1400	1700	1050
SD 636	4000	2150	1600	1450	1800	1120
SD 638	4900	2300	1700	1500	1900	1200
SD 640	8000	3100	2350	2000	2500	1450
SD 644	8400	4000	2950	2400	2550	1700
SD 648	8700	4600	3300	2650	2900	1920
SD 652	9600	5000	3750	3300	3100	2100



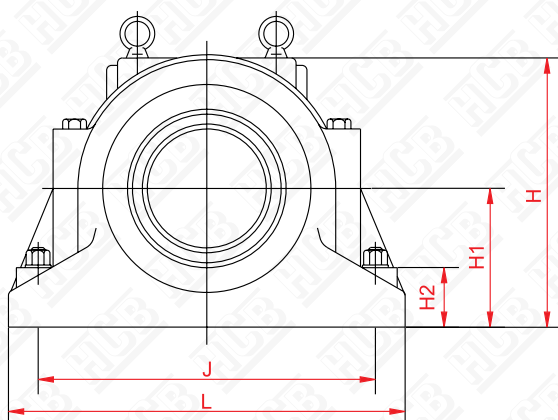
SHAFT	HOUSING	BEARING	LOCATING RING	FELT STRIP
Da				
135	SD 530	22230 K	frb 10/270	4 FS510
140	SD 532	22232 K	frb 10/290	4 FS680
150	SD 534	22234 K	frb 10/310	4 FS680
160	SD 536	22236 K	frb 10/320	4 FS680
170	SD 538	22238 K	frb 10/340	4 FS680
180	SD 540	22240 K	frb 10/360	4 FS680
200	SD 544	22244 K	frb 10/400	4 FS950
220	SD 548	22248 K	frb 10/440	4 FS950
240	SD 552	22252 K	frb 10/480	4 FS1120
260	SD 556	22256 K	frb 10/500	4 FS1120
280	SD 560	22260 K	frb 10/540	4 FS1220
300	SD 564	22264 K	frb 10/580	4 FS1220

SD 500



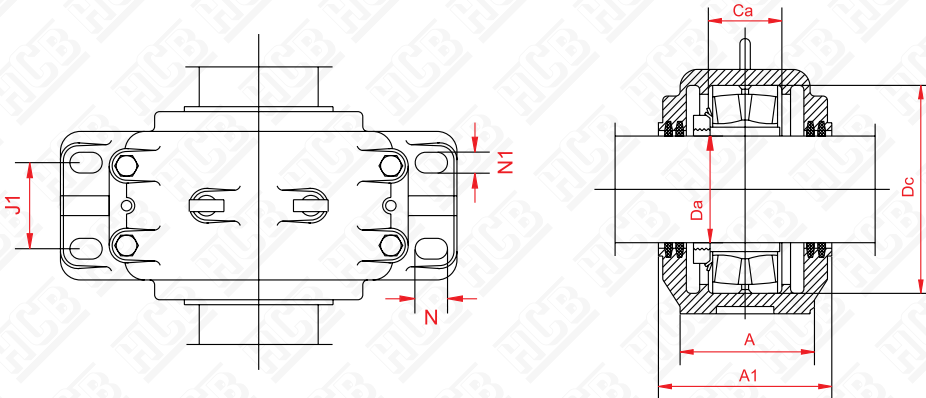
HOUSING	DIMENSIONS											
	D <sub>c</sub>	C <sub>a</sub>	L	J	H	H <sub>1</sub>	H <sub>2</sub>	A	A <sub>1</sub>	N	N <sub>1</sub>	Kg
SD 530	270	83	550	450	320	160	55	220	240	45	33	77
SD 532	290	90	580	480	340	170	55	230	250	45	33	90
SD 534	310	96	620	510	360	180	60	250	270	50	36	110
SD 536	320	96	650	540	380	190	60	260	280	50	36	125
SD 538	340	102	700	570	400	200	65	280	290	55	40	140
SD 540	360	108	740	610	420	210	65	290	300	55	40	170
SD 544	400	118	820	680	475	240	70	320	330	62	42	220
SD 548	440	130	880	740	515	260	85	330	340	65	45	285
SD 552	480	140	940	790	555	280	85	360	370	65	45	370
SD 556	500	140	990	830	590	300	100	380	390	77	52	440
SD 560	540	150	1060	890	640	325	100	400	410	77	52	525
SD 564	580	160	1110	930	690	355	110	430	440	85	56	650





SHAFT	HOUSING	BEARING	LOCATING RING	FELT STRIP
Da				
135	SD 630	22330 K	frb 10/320	4 FS510
140	SD 632	22332 K	frb 10/340	4 FS680
150	SD 634	22334 K	frb 10/360	4 FS680
160	SD 636	22336 K	frb 10/380	4 FS680
170	SD 638	22338 K	frb 10/400	4 FS680
180	SD 640	22340 K	frb 10/420	4 FS680
200	SD 644	22344 K	frb 10/460	4 FS950
220	SD 648	22348 K	frb 10/500	4 FS950
240	SD 652	22352 K	frb 10/540	4 FS1120

SD 600



HOUSING	DIMENSIONS											
	Dc	Ca	L	J	H	H <sub>1</sub>	H <sub>2</sub>	A	A <sub>1</sub>	N	N <sub>1</sub>	Kg
SD 630	320	118	650	540	380	190	60	260	280	50	36	120
SD 632	340	124	700	570	400	200	65	280	290	55	40	140
SD 634	360	130	740	610	420	210	65	290	300	55	40	170
SD 636	380	136	780	640	450	225	70	310	320	62	42	195
SD 638	400	142	820	680	475	240	70	320	330	62	42	220
SD 640	420	148	860	710	500	250	85	340	350	65	45	285
SD 644	460	155	920	770	550	280	85	350	360	65	45	370
SD 648	500	165	990	830	590	300	100	380	390	77	52	440
SD 652	540	175	1060	890	640	325	100	400	410	77	52	525